

ID-Nr. 30612-001
Model SL.196.060.MH



Cabinet for acids and alkalis SL-CLASSIC
Model SL.196.060.MH, light grey (RAL 7035)

Safe and approved storage of aggressive, non flammable hazardous materials in working areas

Function / construction:

- **Robust construction and longevity:** cabinet body made of powder-coated sheet steel, safety elements assembled outside the storage compartment for increased protection against corrosion
- **Two in one:** two hermetically separated storage compartments allow the isolated storage of acids and bases in one cabinet
- **No unauthorised use:** doors lockable with profile cylinder (integration in an existing locking system possible)
- **Easy alignment:** adjusting aids to compensate for uneven floor
- **ventilation:** integrated metal-free air ducts ready for connection to a technical exhaust system with only one extraction air inlet

Dimensions	
Width (external)	597.00 mm
Depth (external)	603.00 mm
Height (external)	1965.00 mm
Width (internal)	485.00 mm
Depth (internal)	570.00 mm
Height (internal)	914.00 mm

The available internal dimensions can vary depending on the interior equipment package.

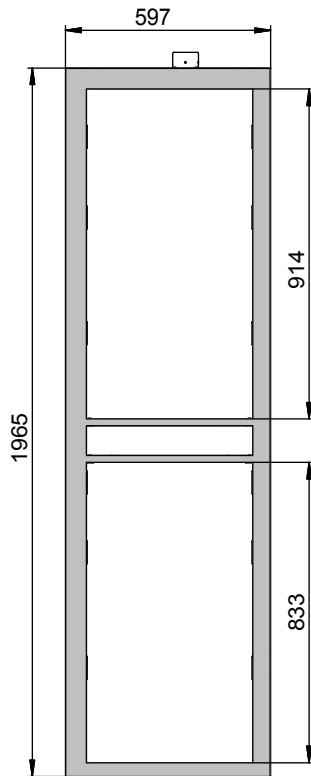
Weight / Load	
Weight without interior equipment	136 kg
Distributed load	444.00 kg/m ²
Maximum load	300 kg

Ventilation	
extraction air connection	75 DN
Recom. exhaust air quantity 30 times	14 m ³ /h
Differential pressure (30 times air change)	4 Pa

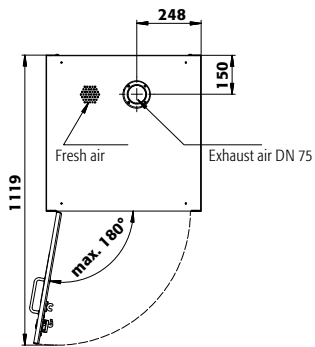
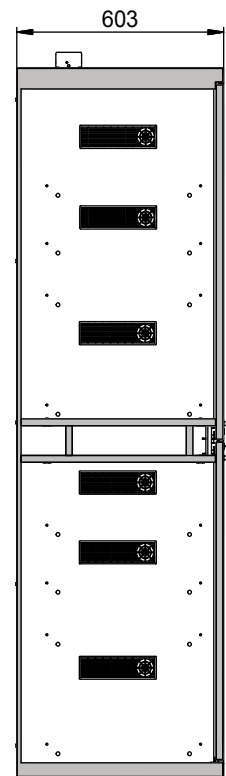
Colouring / Surface finish	
Body colour code	RAL 7035
Body colour	light grey
Body surface finish	plain
Door / Drawer colour code	RAL 7035
Door / Drawer colour	light grey
Door / Drawer surface finish	plain

General Information	
Number of doors	2
Depth with open doors	1119.00 mm
Customs tariff number	94032080

Front view



Side view



For further information please visit www.asecos.com