

Order No. 30115-001
S90.196.120



Safety storage cabinet S-CLASSIC-90
Model S90.196.120, light grey (RAL 7035)

Safe and approved storage of flammable hazardous substances in working areas

Function / construction:

- **Robust construction and longevity:** triple hinged door, body made of powder-coated sheet steel, safety elements assembled outside the cabinet for increased protection against corrosion
- **No unauthorised use:** doors lockable with profile cylinder (integration in an existing locking system possible)
- **Easy alignment:** adjusting aids to compensate for uneven floor
- **Ventilation:** integrated air ducts ready for connection (DN 75) to a technical exhaust system

Dimensions	
Width (external)	1196.00 mm
Depth (external)	616.00 mm
Height (external)	1968.00 mm
Width (internal)	1050.00 mm
Depth (internal)	524.00 mm
Height (internal)	1742.00 mm

The available internal dimensions can vary depending on the interior equipment package.

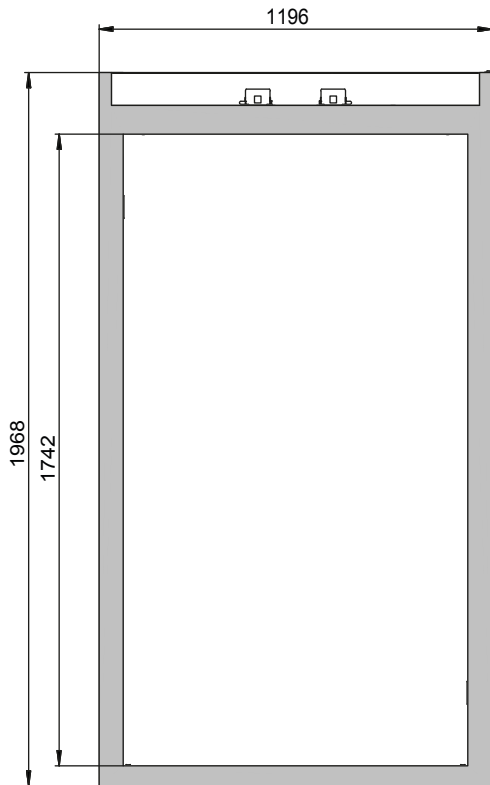
Weight / Load	
Weight without interior equipment	420 kg
Distributed load	528.00 kg/m ²
Maximum load	600 kg

Ventilation	
Extraction air	75 DN
Minimum exhaust air quantity 10 times	10 m ³ /h
Differential pressure (10 times air change)	5 Pa

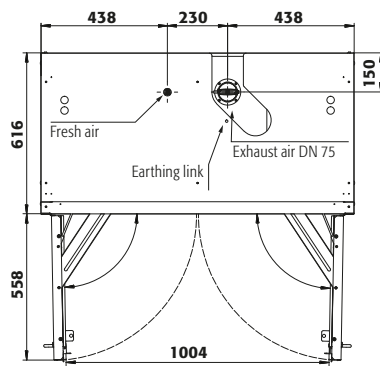
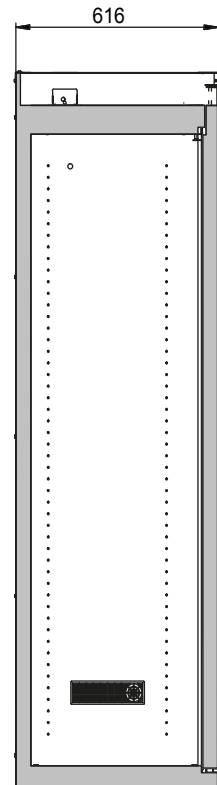
Colouring / Surface finish	
Body colour code	RAL 7035
Body colour	light grey
Body surface finish	plain
Door / Drawer colour code	RAL 7035
Door / Drawer colour	light grey
Door / Drawer surface finish	plain

General Information	
Number of doors	2
Door opening angle	89.00°
Interior grid dimension	32 mm
Depth with open doors	1173 mm
Customs tariff number	94032080

Front view



Side view



For further information please visit www.asecos.com