



JIZERSKÁ PORCELÁNKA, s.r.o.

Producer of laboratory and technical porcelainsince1947



PRODUCT SPECIFICATIONS SHEET

FUNNEL BUCHNER

Jizerská porcelánka s.r.o. certifies that the specified products meet all specifications and quality criteria for release. The products comply in every respect with the relevant particular specifications, drawings, relevant standards and regulations in force.

JIPO Code	H1 (mm)	H2 (mm)	D1 (mm)	D2 (mm)	D3 (mm)	D4 (mm)	D5 (mm)	D6 (mm)	Volume (mm)	Filter plates diameter (mm)
641 332 237 001	17	28	29	22	1	37	9	11	10	27
641 332 237 011	20	35	42	33	1	52	11	12	25	40
641 332 237 101	24	43	48	38	1	56	14	17	35	45
641 332 237 201	30	64	62	45	1	71	15	17	70	55
641 332 237 301	35	64	77	58	1	88	15	17	90	70
641 332 237 401	40	71	97	70	2	110	17	21	240	90
641 332 237 501	49	83	116	95	2	135	23	27	400	110
641 332 237 601	52	85	130	110	2	153	24	29	600	125
641 332 237 701	59	96	156	130	2	180	27	32	1000	150
641 332 237 801	74	117	192	160	2	221	28	34	2000	185
641 332 237 901	90	117	248	220	2	280	33	38	4000	240
641 332 237 921	105	130	296	260	2	332	36	39	7000	270
641 332 237 991	120	133	334	300	2	370	38	43	10000	320



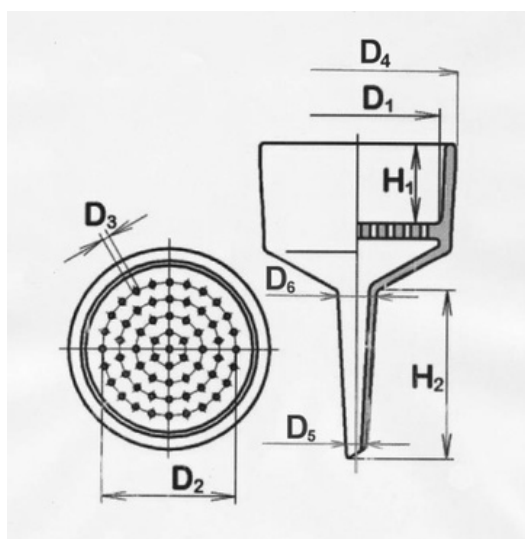
JIZERSKÁ PORCELÁNKA, s.r.o.

Producer of laboratory and technical porcelainsince1947



PRODUCT SPECIFICATIONS SHEET

FUNNEL BUCHNER



Intended uses:	Laboratory applications
Material:	Porcelain C110
Compliant to:	ISO material for the manufacture lies within the group C110 according to ČSN EN 60672 –3 Product dimension tolerances are controlled by DIN 40680 Acid resistance acc. to ISO 1775
Properties:	Unglazed products can be used at temperatures of up to 1350°C / 2462°F and glazed ones at temperatures of up to 1000°C / 1,832°F Products have high resistance to acids and alkali Density 2.4 g/cm ³ Bending strength of unglazed products (70MPa) Thermal conductivity (W.m-1.K-1) = 1.3 Used for filtration under low vacuum (to a 1,6 kPa) Used for filtration under low temperature (to a 100°C)